

Automation for a Changing World

Delta Gas Flow Meter DFM Series



www.deltaww.com

 **DELTA**
Smarter. Greener. Together.

Delta Gas Flow Meter DFM Series

Stable, accurate and fast

The brand-new gas flow meter DFM Series adopts Thermopile technology, enabling more accurate and faster measurement capability compared with traditional technology.

The DFM Series is equipped with a 3-layer embedded tranquilizer, and does not require extra space for straight pipe when installing.

With its compact design and easy setup, the DFM Series is ideal for installation in limited spaces. Its accurate and stable gas flow control and measurement capability is suitable for all environments and applications, such as forming machines and static eliminators.





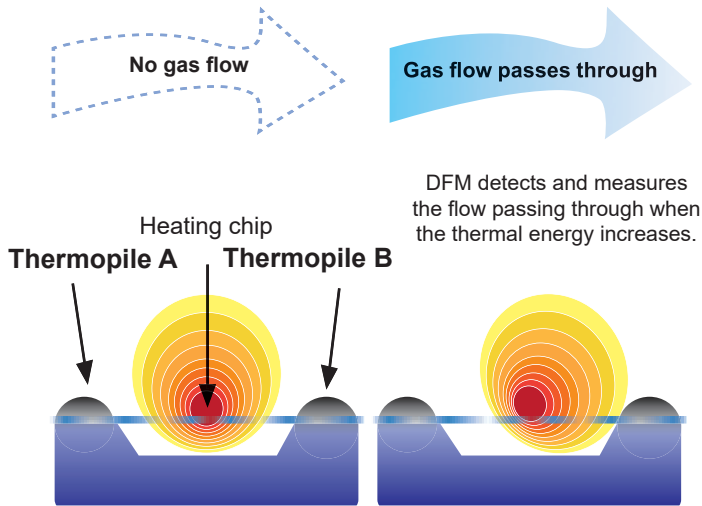
Table of Contents

<u>Product Features</u>	3
<u>System Structure</u>	5
<u>Applications</u>	6
<u>Product Profile and Dimensions</u>	7
<u>Connection Terminals and Installation</u>	8
<u>Product Specifications and Ordering Information</u>	9
<u>Technical Specifications</u>	10

Product Features

Highly precise gas flow measurement

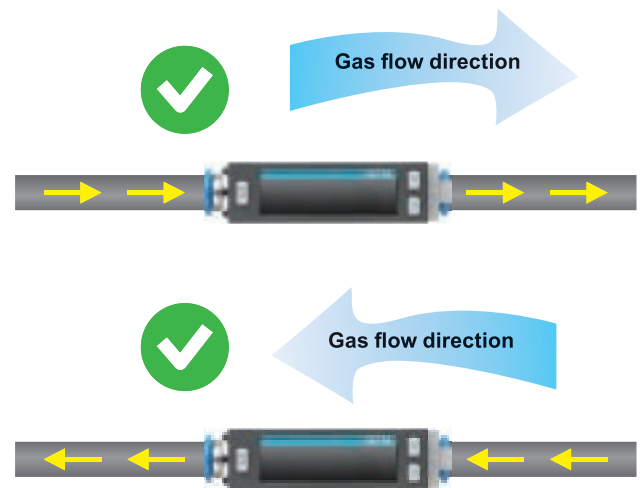
Adopts Thermopile technology with quick response time to conduct stable and accurate gas flow measurement.



Measurement Diagram

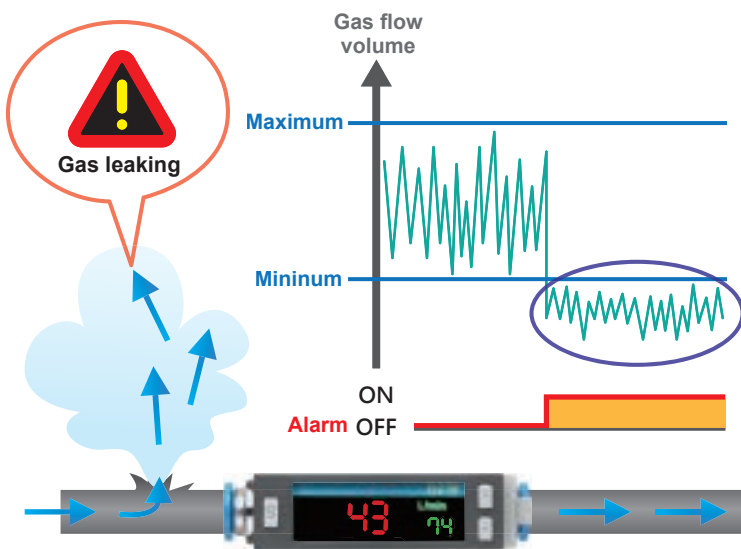
Two-sided gas flow measurement

No need to alternate installation for gas flow direction. Users can flexibly operate based on needs.



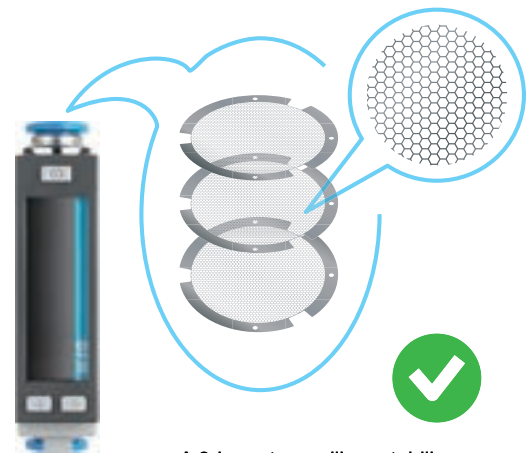
Flow limit setting for safe and reliable operation

Users can set up max. and min. limits of gas flow volume. The system will sound an alarm if the detection exceeds/fails the limits.



Embedded tranquilizer to stabilize gas flow

A 3-layer embedded tranquilizer eliminates gas flow chaos in bending pipe, providing stable and convenient gas flow detection.



A 3-layer tranquilizer stabilizes gas flows and blocks impurity in gas to protect the device.

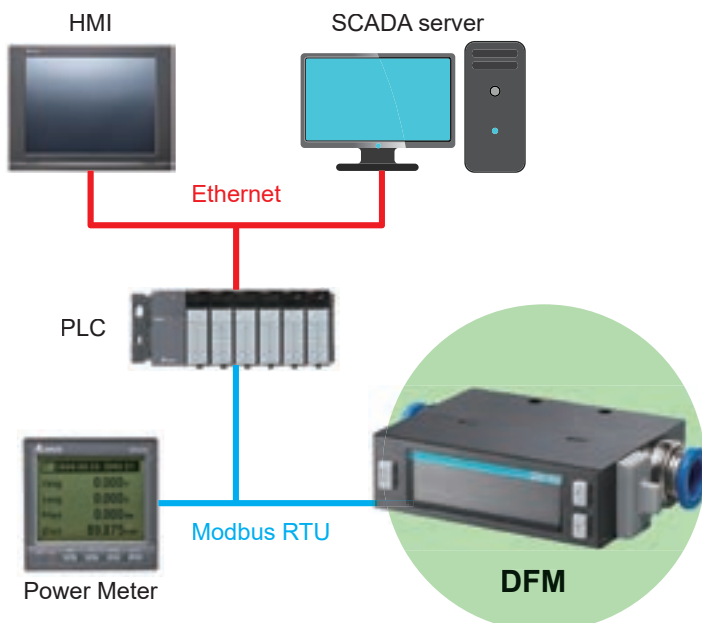
High quality LCD display

Clear characters display for easy device status monitoring in all kinds of environments.



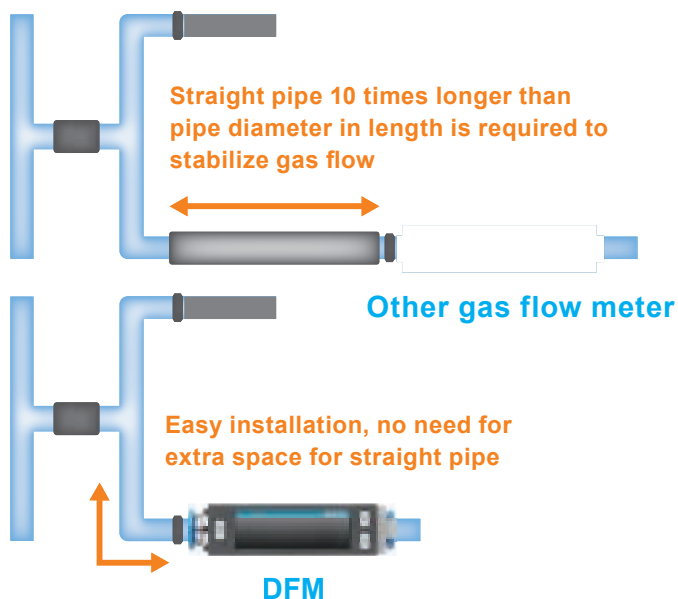
Supports analog and digital output

Fast connection to obtain real-time data; analog voltage, analog current and digital RS-485 outputs available on different models.



Built-in stabilizer

Connects with the pipe directly according to the requirements of the installation environment; no need to install 10 times further than the pipe diameter, providing flexibility and space-saving advantages.



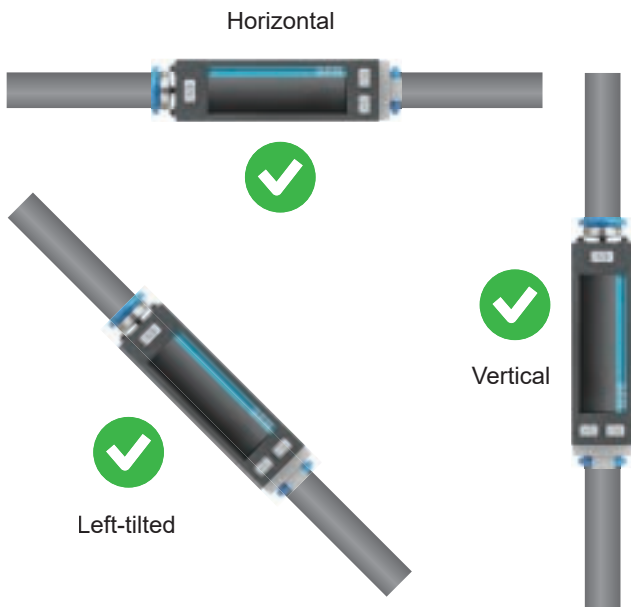
Optional bracket for easy installation

Optional bracket for easy installation with screws.

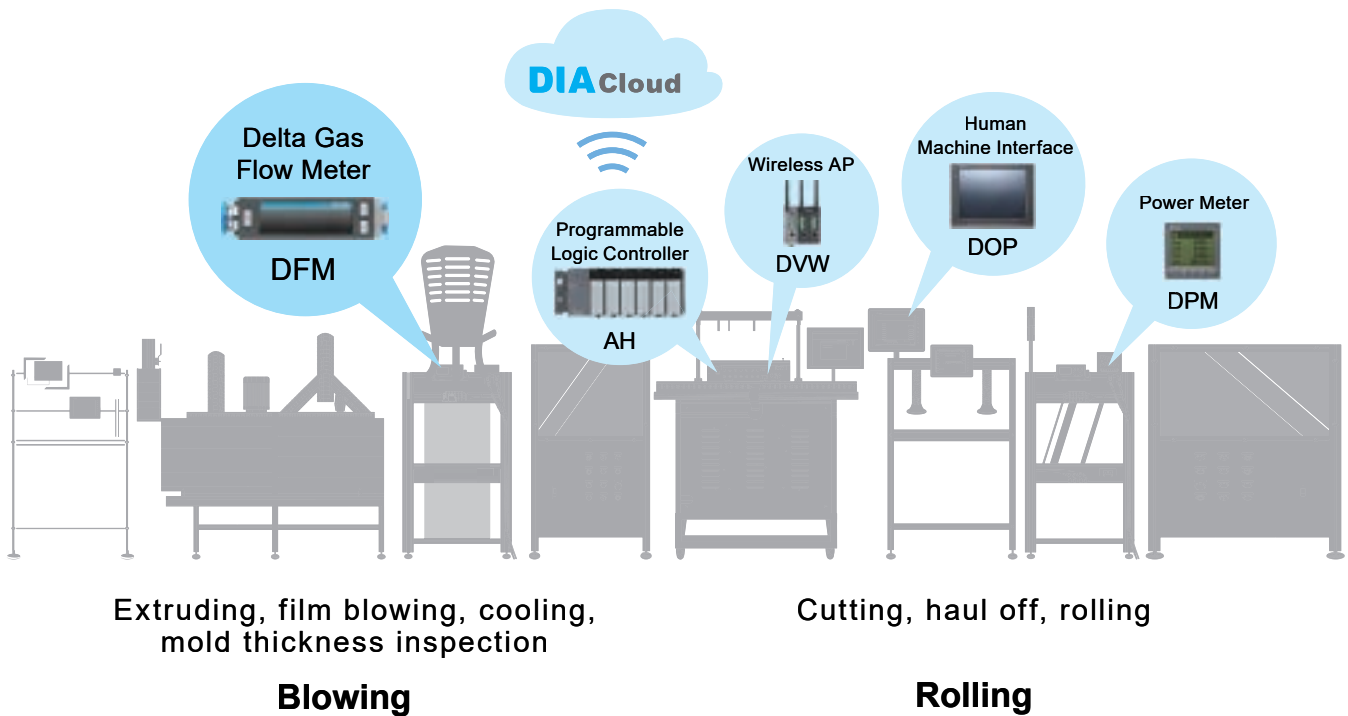


Flexible installation

Vertical, horizontal or tilted installation based on users' needs with a display that faces all directions, providing agile, flexible and easy applications.



System Structure



Applications

Cleaning, gas drying, environment monitoring, cable charging, ventilation inspection in automation equipment, semiconductor, panel and automobile industries.

- Cylinder gas flow usage measurement



- Gas filling flow control for food packaging



- Gas flow / pressure management on production lines



- Filling gas flow management



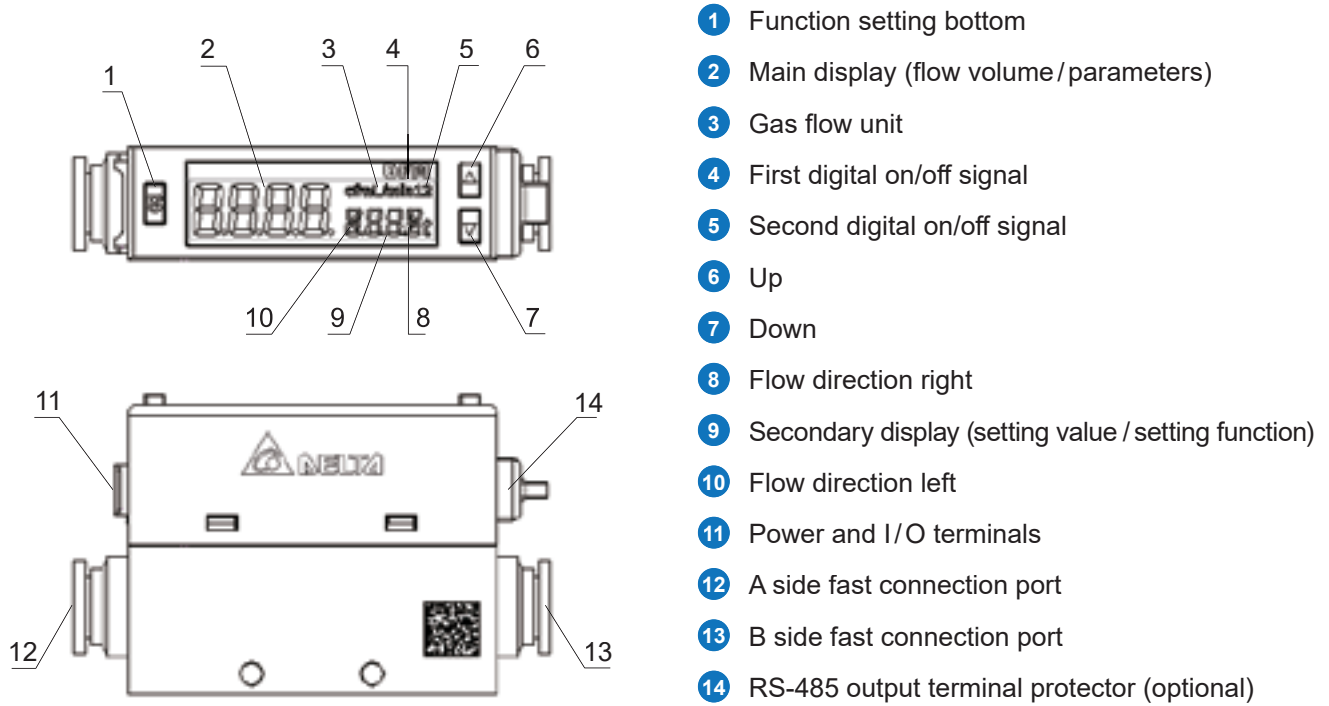
- Equipment gas flow consumption management



- Coating gas flow management



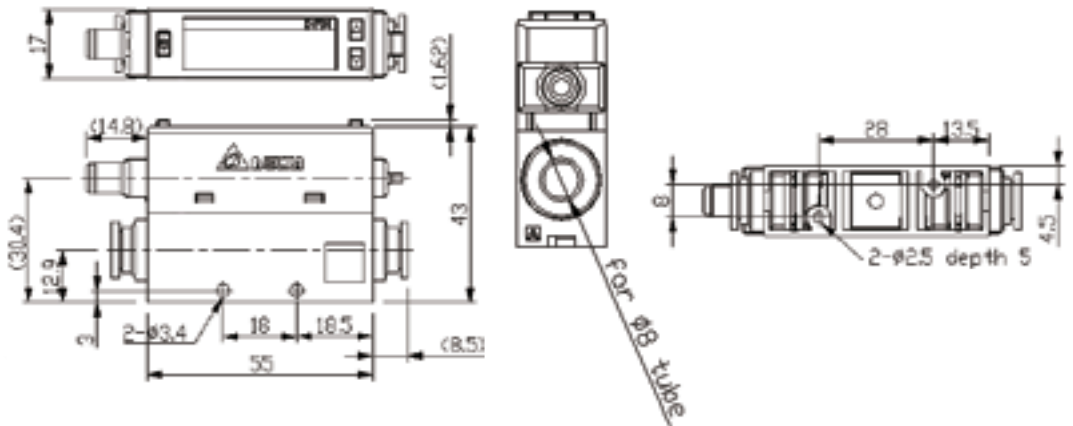
Product Profile



Dimensions

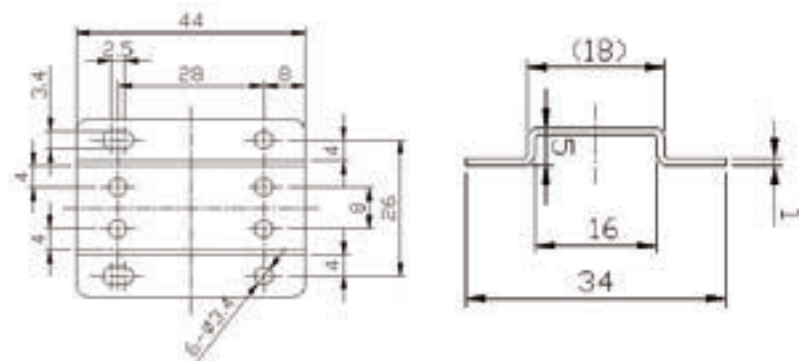
Gas flow meter

Unit: mm



Bracket (optional)

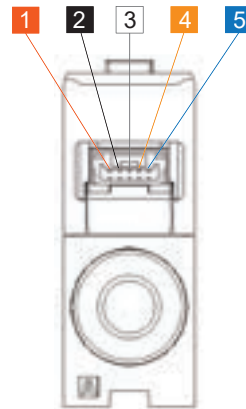
Unit: mm



Connection Terminals

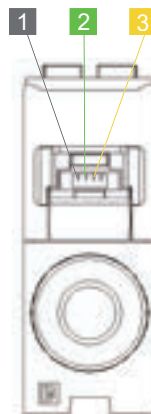
Power and I/O terminals (A side)

- 1. Positive power input
- 2. OUT1, first digital output signal
- 3. OUT2/IN, second digital I/O signal
- 4. Analog output signal
- 5. Negative power input



RS-485 output terminals (B side)

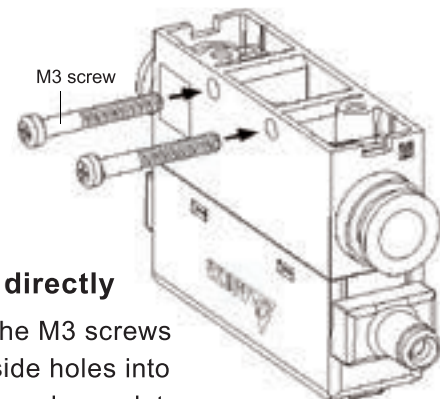
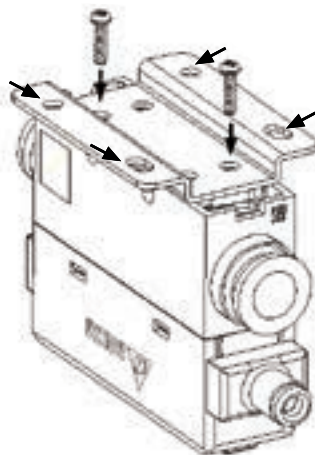
- 1. Anti-jamming grounding
- 2. RS-485 D+ terminal
- 3. RS-485 D- terminal



Installation

Screw with bracket

- 1. Use two screws to fix the bracket onto the DFM
- 2. Screw the bracket into position on the DFM to complete installation.









Screw directly


Screw the M3 screws by the side holes into position and complete installation.

Product Specifications

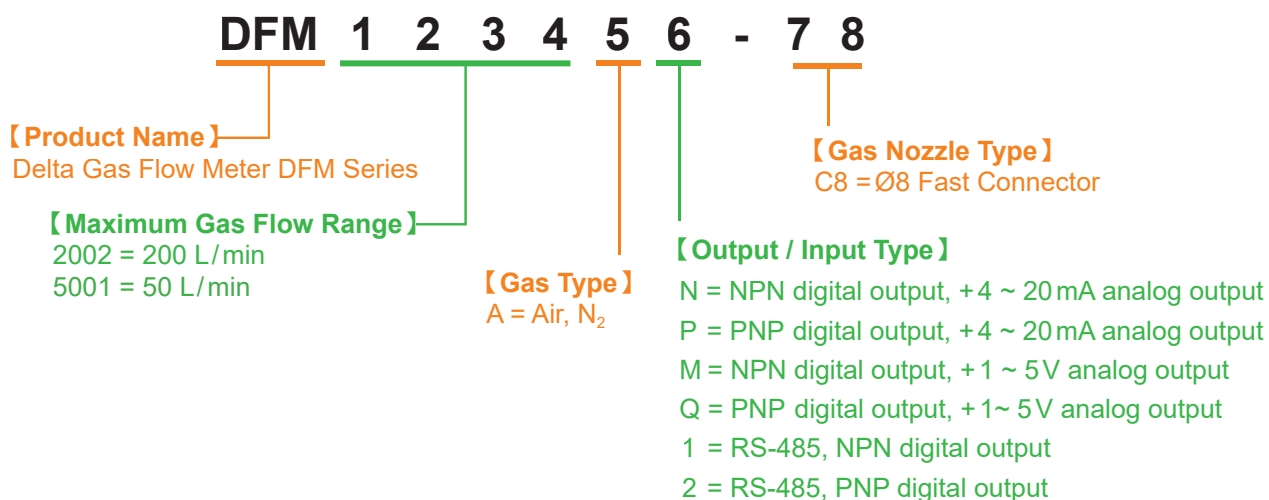
Delta Gas Flow Meter

Product	Description	Model Name	Output Type
	200L Voltage Output	DFM2002AM-C8	NPN
		DFM2002AQ-C8	PNP
	200L Current Output	DFM2002AN-C8	NPN
		DFM2002AP-C8	PNP
	200L RS-485 Output	DFM2002A1-C8	NPN
		DFM2002A2-C8	PNP
	50L Voltage Output	DFM5001AM-C8	NPN
		DFM5001AQ-C8	PNP
	50L Current Output	DFM5001AN-C8	NPN
		DFM5001AP-C8	PNP
	50L RS-485 Output	DFM5001A1-C8	NPN
		DFM5001A2-C8	PNP

Bracket (optional)

Product	Description	Model Name
	DFM bracket	DFM2002-BMKIT

Ordering Information



Technical Specifications

Model		DFM200 Series	DFM500 Series
Input Power	Voltage Range	24V _{DC} ± 10% non-isolation	
	Power Consumption	24V: - Voltage output and RS-485 models: max. 0.96W - Current output model: max. 1.2W	
Gas Flow Measurement	Measurement Range* ²	2 ~ 200 L/min* ¹	0.5 ~ 50 L/min* ¹
	Measurable Gas	Air, N ₂	
	Operation Pressure	0 ~ 0.75 MPa	
	Max. Durable Pressure	1 MPa	
	Pressure-related Inaccuracy	± 5% F.S. (0 ~ 0.75 MPa) entire process The process is based on pressure 0.35 MPa. Pressure can also lead to inaccuracies other than measurement inaccuracy.* ³	
	Measurement Accuracy	± 3% F.S. entire process	
	Temperature-related Inaccuracy	± 5% F.S. (0°C ~ 50°C) entire process The process is based on temperature 25°C. Temperature can also lead to inaccuracies other than measurement inaccuracy	
	Functions	Peak volume display/accumulated volume display/reverse display/zero adjustment/button lockup/energy-saving mode/percentage (analog output)/delay decision	
Display	Flow Volume Display	Max. 4 digits for peak volume, 8 digits for accumulated volume	
	Display Modes	2 colors (red and green) display available based on different modes	
	Display Figure	1L/min	0.1L/min
Output	Output Terminals	Built-in 2 NPN or PNP transistor digital outputs and 1 analog output (varies in different models)	
	Input Terminals	Built-in 1 digital output, shares terminal with 2 nd output	
	Output Form	NPN: max. durable pressure 30V/100mA, residual voltage 1.5V PNP: max. durable pressure 30V/100mA, residual voltage 1.5V	
	Output (Varies in Different Models)	Analog voltage: 1 ~ 5V, min. output load resistance 50 kΩ Linear inaccuracy < ± 3% entire process	
		Analog current: 4 ~ 20 mA, max. output load resistance 300 Ω Linear inaccuracy < ± 3% entire process Digital RS-485	
Response Time	50 ms / 100 ms / 500 ms / 1 secs / 2 secs		
Gas Nozzle Size	C8	Fast connection port Ø8 (8 mm diameter pipe connectable)	
Cable Specifications	Connector	Standard 2 m cable included	
Operation Temperature	0°C ~ 50°C		
Storage Temperature	-10°C ~ 60°C		
Operation Humidity	35% ~ 85% RH (Non-condensed)		

*¹ Dry and clean gas without dirt and oil

*² Flow transfers into value below. Standard volume std (pre-setting): 20°C, AP 101.3kPa

*³ Please ensure both sides are connected to pipe when operating. If one side is not connected, pressure will decrease and lead to inaccurate measurement



Smarter. Greener. Together.

Industrial Automation Headquarters

Taiwan: Delta Electronics, Inc.

Taoyuan Technology Center
No.18, Xinglong Rd., Taoyuan District,
Taoyuan City 33068, Taiwan
TEL: +886-3-362-6301 / FAX: +886-3-371-6301

Asia

China: Delta Electronics (Shanghai) Co., Ltd.

No.182 Minyu Rd., Pudong Shanghai, P.R.C.
Post code : 201209
TEL: +86-21-6872-3988 / FAX: +86-21-6872-3996
Customer Service: 400-820-9595

Japan: Delta Electronics (Japan), Inc.

Industrial Automation Sales Department
2-1-14 Shibadaimon, Minato-ku
Tokyo, Japan 105-0012
TEL: +81-3-5733-1155 / FAX: +81-3-5733-1255

Korea: Delta Electronics (Korea), Inc.

1511, 219, Gasan Digital 1-Ro., Geumcheon-gu,
Seoul, 08501 South Korea
TEL: +82-2-515-5305 / FAX: +82-2-515-5302

Singapore: Delta Energy Systems (Singapore) Pte Ltd.

4 Kaki Bukit Avenue 1, #05-04, Singapore 417939
TEL: +65-6747-5155 / FAX: +65-6744-9228

India: Delta Electronics (India) Pvt. Ltd.

Plot No.43, Sector 35, HSIIDC Gurgaon,
PIN 122001, Haryana, India
TEL: +91-124-4874900 / FAX: +91-124-4874945

Thailand: Delta Electronics (Thailand) PCL.

909 Soi 9, Moo 4, Bangpoo Industrial Estate (E.P.Z),
Pattana 1 Rd., T.Phraksa, A.Muang,
Samutprakarn 10280, Thailand
TEL: +66-2709-2800 / FAX: +66-2709-2827

Australia: Delta Electronics (Australia) Pty Ltd.

Unit 20-21/45 Normanby Rd., Notting Hill Vic 3168, Australia
TEL: +61-3-9543-3720

Americas

USA: Delta Electronics (Americas) Ltd.

5101 Davis Drive, Research Triangle Park, NC 27709, U.S.A.
TEL: +1-919-767-3813 / FAX: +1-919-767-3969

Brazil: Delta Electronics Brazil

Rua Itapeva, 26 - 3º, andar Edifício Itapeva,
One - Bela Vista 01332-000 - São Paulo - SP - Brazil
TEL: +55-12-3932-2300 / FAX: +55-12-3932-237

Mexico: Delta Electronics International Mexico S.A. de C.V.

Gustavo Baz No. 309 Edificio E PB 103
Colonia La Loma, CP 54060
Tlalnepantla, Estado de México
TEL: +52-55-3603-9200

EMEA

EMEA Headquarters: Delta Electronics (Netherlands) B.V.

Sales: Sales.IA.EMEA@deltaww.com
Marketing: Marketing.IA.EMEA@deltaww.com
Technical Support: iatechnicalsupport@deltaww.com
Customer Support: Customer-Support@deltaww.com
Service: Service.IA.emea@deltaww.com
TEL: +31(0)40 800 3900

BENELUX: Delta Electronics (Netherlands) B.V.

Automotive Campus 260, 5708 JZ Helmond, The Netherlands
Mail: Sales.IA.Benelux@deltaww.com
TEL: +31(0)40 800 3900

DACH: Delta Electronics (Netherlands) B.V.

Coesterweg 45, D-59494 Soest, Germany
Mail: Sales.IA.DACH@deltaww.com
TEL: +49(0)2921 987 0

France: Delta Electronics (France) S.A.

ZI du bois Challand 2, 15 rue des Pyrénées,
Lisses, 91090 Evry Cedex, France
Mail: Sales.IA.FR@deltaww.com
TEL: +33(0)1 69 77 82 60

Iberia: Delta Electronics Solutions (Spain) S.L.U

Ctra. De Villaverde a Vallecas, 265 1º Dcha Ed.
Hormigueras – P.I. de Vallecas 28031 Madrid
TEL: +34(0)91 223 74 20

Carrer Llacuna 166, 08018 Barcelona, Spain

Mail: Sales.IA.Iberia@deltaww.com

Italy: Delta Electronics (Italy) S.r.l.

Via Meda 2-22060 Novedrate(CO)
Piazza Grazioli 18 00186 Roma Italy
Mail: Sales.IA.Italy@deltaww.com
TEL: +39 039 8900365

Russia: Delta Energy System LLC

Vereyskaya Plaza II, office 112 Vereyskaya str.
17 121357 Moscow Russia
Mail: Sales.IA.RU@deltaww.com
TEL: +7 495 644 3240

Turkey: Delta Greentech Elektronik San. Ltd. Sti. (Turkey)

Şerifali Mah. Hendem Cad. Kule Sok. No:16-A
34775 Ümraniye – İstanbul
Mail: Sales.IA.Turkey@deltaww.com
TEL: + 90 216 499 9910

MEA: Eltek Dubai (Eltek MEA DMCC)

OFFICE 2504, 25th Floor, Saba Tower 1,
Jumeirah Lakes Towers, Dubai, UAE
Mail: Sales.IA.MEA@deltaww.com
TEL: +971(0)4 2690148