



Table of Contents

Table of Contents	Page 1
Product Introduction.....	Page 2
Product Appearance and Dimensions.....	Page 3
Specifications	Page 4
Ordering Information.....	Page 5
Launch Schedule and Min. Ordering Quantity	Page 5

Product Introduction

DOP-B07E411

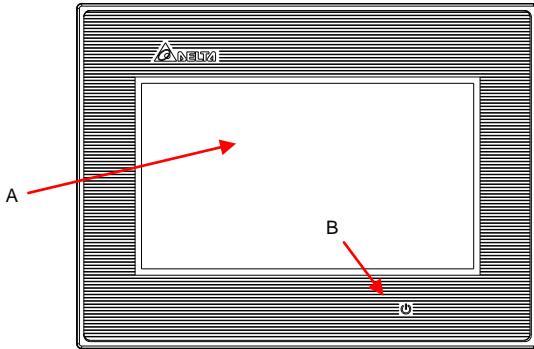


Features

1. Economical Ethernet model
2. 7" 65536 wide colors TFT
3. Support USB Client/Host
4. Support RS232/485/422
5. Support Ethernet
6. Same panel cut-out dimension as DOP-B07 wide screen series

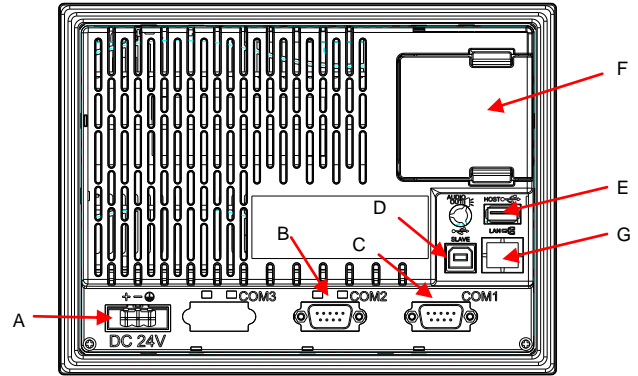
Product Appearance and Dimensions

DOP-B07E411 (Front View)



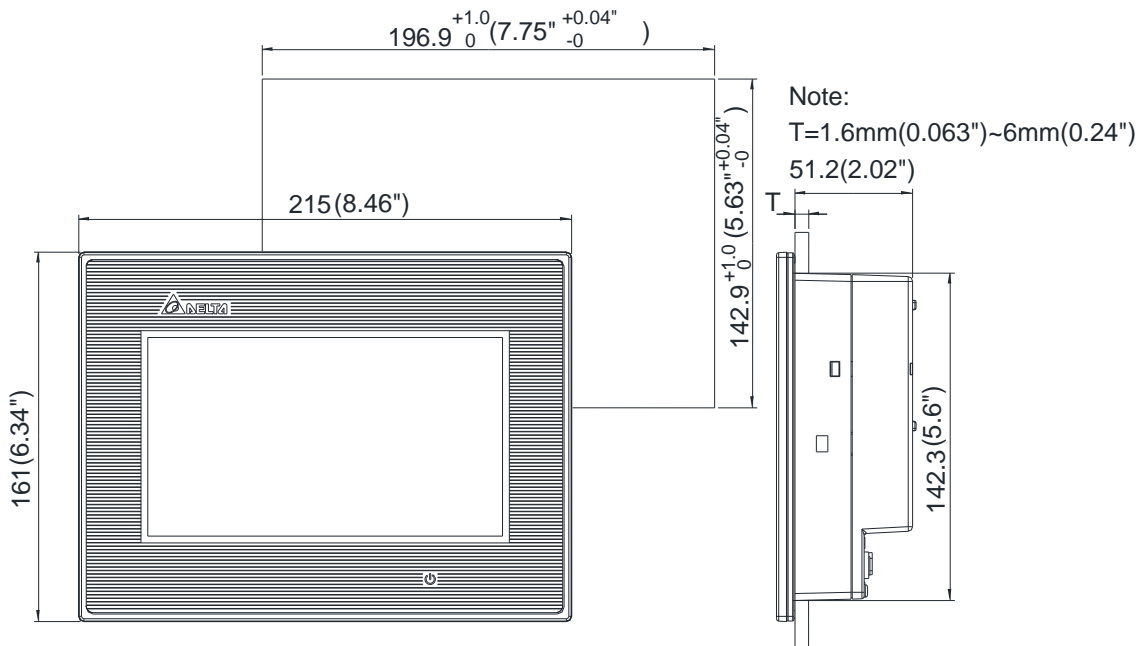
A	Touch Screen / Display
B	Power LED Indicator

DOP-B07E411 (Rear View)



A	Power Input Terminal	B	COM1
C	COM2	D	USB Slave
E	USB Host	F	System Key
G	Ethernet Port (B07E411)		

DOP-B07E411 (Panel Cut-out)



Specifications

Model		DOP-B07E411
Display	Display Size	7" Wide TFT LCD
	Colors	65536
	Resolution	800 x 480
	Backlight	LED Back Light
	Brightness	250
	Backlight Life	20,000
MCU		400 MHz
Flash ROM(Bytes)		128 MB
RAM(Bytes)		64MB
Backup Memory (Bytes)		16MB
Buzzer		Multi-Tone Frequency (2K ~ 4K Hz) / 85dB
Audio Output		N/A
Ethernet		1 Port
SD Card		N/A
USB		1 USB Host Ver 1.1 / 1 USB Client Ver 2.0
Serial COM	COM1	RS-232
	COM2	RS-232 / RS-485
	COM3	RS-422 / RS-485
Function Key		N/A
Perpetual Calendar (RTC)		Built-in
Cooling Method		Natural cooling
Safety Approval		CE / UL
Waterproof for front panel		IP65 / UL Type 4x
Operation Voltage		DC +24V (-10% ~ +15%)
Voltage Endurance		AC500V for 1 minute (between charging (DC24V terminal) and FG terminals)
Power Consumption		4W
Backup Battery		3V lithium CR2032 x 1
Backup Battery Life		About 3 years or more at 25°C but subjects to the temperature and the conditions during usage.
Operation Temp.		0°C ~ 50°C
Storage Temp.		-20°C ~ +60°C
Ambient Humidity		10% ~ 90% RH 【 0 ~ 40°C 】 , 10% ~ 55% RH 【 41 ~ 50°C 】 , Pollution Degree 2
Vibration		Conforms to IEC61131-2; Continuous: 5Hz ~ 8.3Hz 3.5 mm, 8.3Hz ~ 150Hz 1G
Shock		Conforms to IEC60068-2-27; 11ms, 15G Peak , X, Y, Z direction for 6 times
Dimension (W) x (H) x (D) mm		215 x 161 x 50
Panel Cutout (W) x (H) mm		196.9 x 142.9
Weight		Amount 820g



Ordering Information / Launch Schedule

Model	Planned Order Date	Min. Ordering Quantity
DOP-B07E411	2015, Sep	10 pcs.